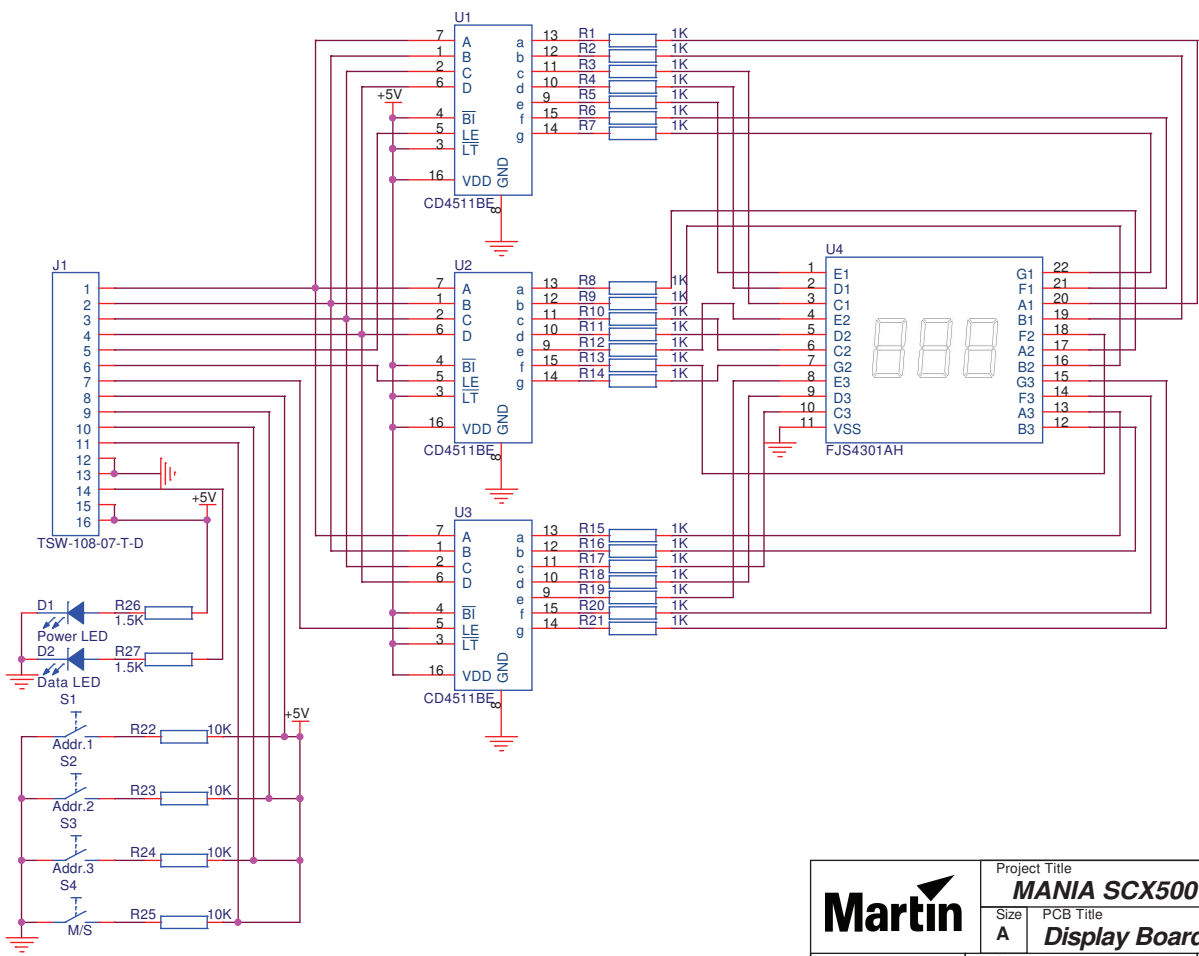



<b>Martin</b>	Project Title <b>MANIA SCX500/EFX500</b>		Drawn By <b>HJ</b>
	Size <b>A</b>	PCB Title <b>Hall Sensor Board</b>	Rev <b>A</b>
Date: Monday, April 18, 2005		Product Baan Number 62000111	
Sheet <b>1</b> of <b>1</b>		2	



	Project Title		Drawn By
	<b>MANIA SCX500</b>		<b>BS</b>
Size	PCB Title		Rev
<b>A</b>	<b>Display Board</b>		<b>B</b>
Date:		Product Baan Number	
Monday, March 05, 2007		62000506	
Sheet <b>1</b> of <b>1</b>			